



# SV-SR SERIES

STARVIEW LCD DIGITAL SIGNAGE



## KEY FEATURES

- › UHD Resolution
- › Super Slim Even Bezel
- › Aluminum Frame Light Weight Design
- › 700nits High Brightness
- › 50,000 Hrs 7×24 Operation
- › Android 13
- › Multiple Control: CMS/RS232/TCP-IP
- › Landscape & Portrait Installation support
- › VESA Mounting Interface

## DESIGNED TO BE COMPATIBLE WITH CHRISTIE'S IMAGE CONTROL SYSTEM

### Starview LCD Digital Signage SV-SR Series

Supported control solution	Switchers and AV distribution	<ul style="list-style-type: none"> <li>• Terra Controller</li> <li>• Terra Receiver</li> <li>• Terra Transmitter</li> </ul>
	Video wall processors	<ul style="list-style-type: none"> <li>• Hedra Standard</li> <li>• Hedra Pro-KVM</li> <li>• Hedra Pro-Video</li> </ul>
	Image processors	<ul style="list-style-type: none"> <li>• Spyder-S-Series</li> <li>• Mastering Gateway</li> <li>• Spyder X80</li> </ul>

Products "LCD Digital Signage SV-SR Series" manufactured by Starview, are paired with Christie Terra Switchers and AV distribution

Solutions beyond matrix switching for AV-over-IP system architectures

Based on off-the-shelf 10G Ethernet components, the Terra solution allows for the design of simple, flexible and highly-scalable system architectures that deliver great performance and user experience at a drastically lower total cost of ownership.

- **Terra Transmitter** - Supply audiovisual sources and control signals with uncompressed, zero-frame latency, artifact-free content over 10G networks.
- **Terra Receiver** - Deliver audiovisual sources and control from an SDVoE system to displays and other devices. Benefit from full signal management including videowall magnification, KVM switching and extension, aspect ratio management, and Multiviewer for confidence monitoring.
- **Terra Controller** - The Christie Terra Controller gives you complete, secure operational control and management over Terra devices and SDVoE systems.



Christie Terra



Christie Hedra

### Paired with Christie Hedra Video wall processors

Whether it's mission-critical operations or monitoring sources for energy and utilities, your team needs to securely display, arrange, and operate multiple sources to make quick, informed decisions. And that's where the new Christie® video wall processors come in.

With Christie Hedra™, you get secure, real-time access to your data that you can control from virtually anywhere for seamless collaboration and sharing of critical information so you can make those decisions.

### Paired with Christie Spyder Image processors

Deliver the highest quality content every time

No matter what your canvas is – a live event, sports venue, control room, or corporate space – Christie® image processors and compositors can deliver the highest quality content with the lowest latency.

Christie Spyder-S Series: A revolution in compositing and processing

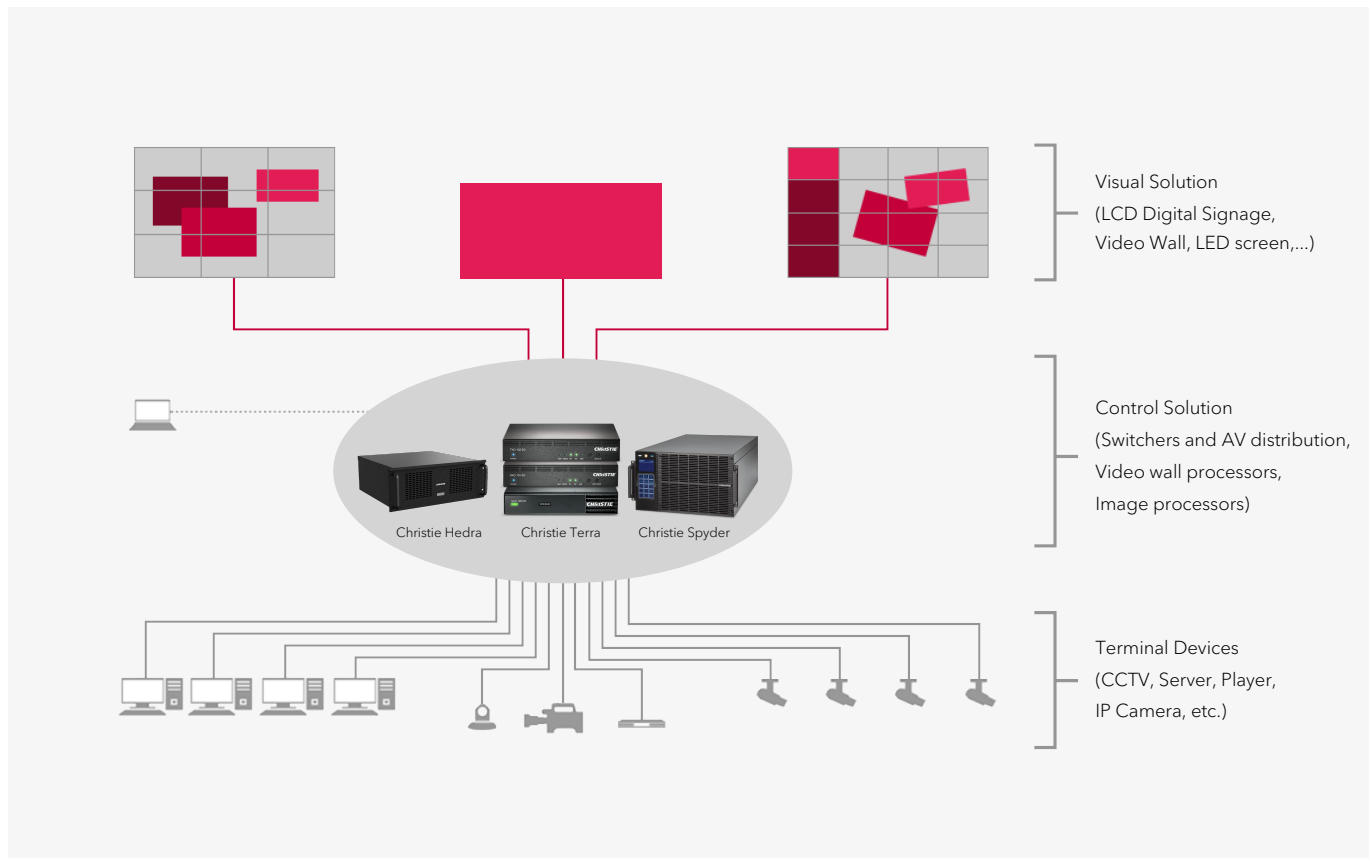
The Spyder-S Series redefines everything you know about compositing and processing with a better solution for live events, sports venues, and broadcast. Featuring a modular, scalable technology that lets you scale your system by combining individual nodes for nearly limitless inputs, outputs, and megapixels with ultra-low latency. It's everything you need and nothing you don't.

Christie Spyder X80: Designed for demanding events

An undisputed leader in its class, Spyder X80 is a powerful multi-screen windowing processor that offers performance, control, and flexibility for the most demanding, spectacular experiences imaginable.



Christie Spyder



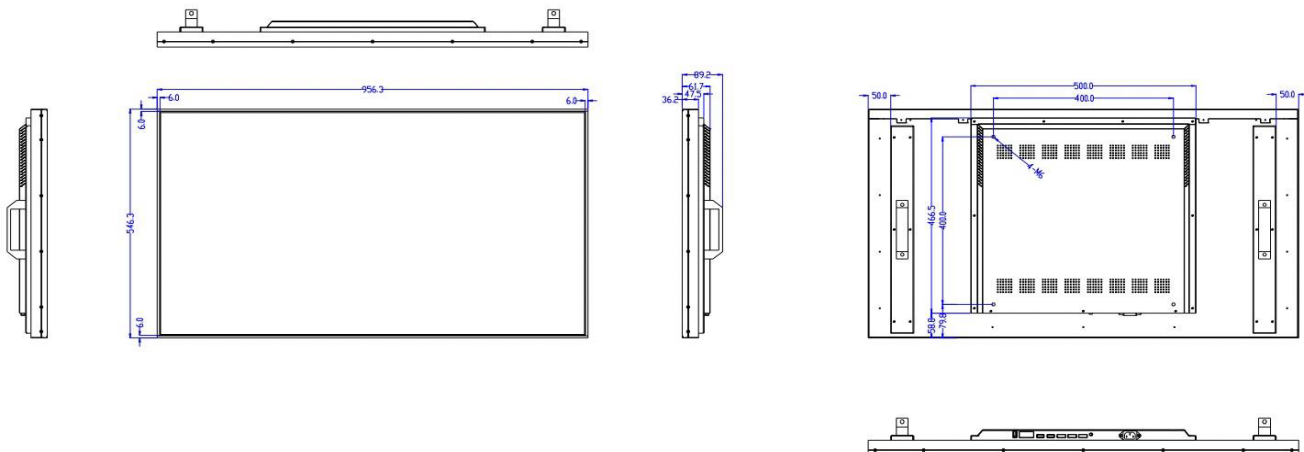
## Technical specifications

## SV-SR SERIES

Model	SV-SR43	SV-SR49	SV-SR55	SV-SR65	SV-SR75	SV-SR86	
Display	Screen Size (Diagonal)	• 43 inch	• 49 inch	• 55 inch	• 65 inch	• 75 inch	• 86 inch
	Native Resolution	• 3840 (H) × 2160 (V)					
	Aspect Ratio	• 16 : 9					
	Birghtness	• 700nits					
	Contrast	• ≥ 1200:1					
	View Angle	• 178°(H) / 178°(V)					
	Display Color	• 16.7M					
	Response Time	• 8ms					
	Operation Time	• 7 × 24h					
	Surface	• 25% Haze					
Life Time (Light Source)	• 50,000 Hrs (Typ.)						
Interface	HDMI in	• ×2 (HDMI1 ARC / HDMI 2)					
	USB	• USB 3.0×1, USB 2.0 (OTG)×1					
	Audio out	• ×1 (3.5mm Earphone)					
	RS232	• ×1 (DB9)					
	RJ45	• ×1					
	TF/SIM Card	• ×1					
	OPS Slot	• ×1					
Configuration	CPU	• A55*4, up to 1.9GHz					
	GPU	• Multi-Core Mali-G52					
	RAM/Storage	• 4/32G (8/64G Optional)					
	OS	• Android 13					
	LAN	• 10/100M					
	WIFI	• 802.11b/g/n(2.4G+5G)					
	Bluetooth	• BT5.0					
Built-In Speaker	• 10W× 2 (8Ω)						
Power	Power supply	• AC100-240V, 50/60Hz					
	Power consumption	• 140W	• 165W	• 180W	• 210W	• 290W	• 380W
	Stand by	• 0.5W	• 0.5W	• 0.6W	• 0.6W	• 0.6W	• 0.6W
Environment	Operation Temperature	• 0°C ~ 50°C					
	Operation Humidity	• 10% ~ 85% RH					
	Storage Temperature	• -20°C ~ 60°C					
	Storage Humidity	• 5% ~ 95% RH					
Physical	Color/Material	• Black/Aluminum					
	Bezel Width (L/R/T/B)	• 6mm	• 6mm	• 6mm	• 7.9mm	• 7.9mm	• 7.9mm
	Set Outline Dimension (W×H×D)	• 956.3×546.3 ×61.7mm	• 1088.2×619.2 ×61.7mm	• 1224.7×698.1 ×62.4mm	• 1444.6×821.2 ×62.4mm	• 1665.8×946.6 ×61.9mm	• 1917.1×1088.1 ×62.4mm
	Package Dimension (W×H×D) Gravity carton	• 1115×195 ×715mm	• 1260×195 ×802mm	• 1380×195 ×870mm	• 1605×195 ×985mm	• 1815×195 ×1105mm	• 2060×210× 1235mm
	Set Weight	• 8.5Kg	• 9.8Kg	• 11.9Kg	• 15.9Kg	• 21Kg	• 33Kg
	Packed Weight-Gravity carton	• 12Kg	• 15Kg	• 18Kg	• 24Kg	• 28Kg	• 48Kg
	VESA Mounting	• 400×400	• 400×400	• 400×400	• 400×400	• 400×400	• 600×400
	VESA Hole Size	• 6mm					

Specifications subject to change. For the most up-to-date specifications, please visit [starviewtech.net](http://starviewtech.net)

## DIMENSION DRAWING



For technical or sales support, please visit:  
[www.starviewtech.net](http://www.starviewtech.net)

For assistance with confirming the Jurisdiction & Classification of Starview Technology products, please contact [sales@starviewint.com](mailto:sales@starviewint.com)

Copyright © 2025 Starview Technologies Private Limited. All rights reserved.  
Singapore Headquarters: 60 Kaki Bukit Place, #05-19 Eunos Techpark, Singapore 415979