



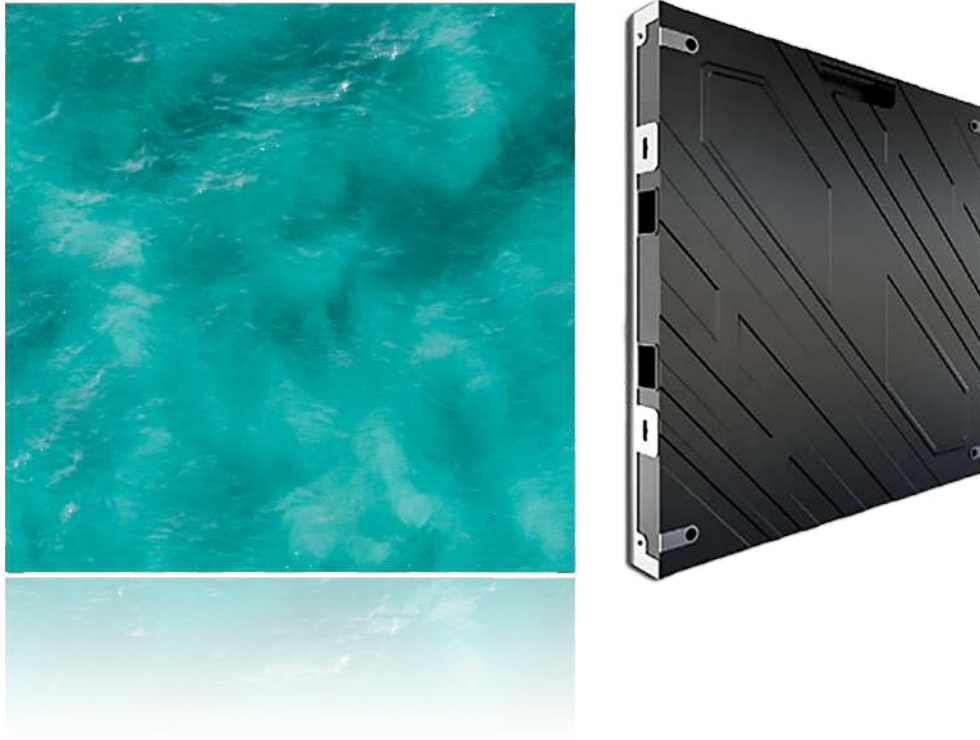
STARVIEW C-SERIES

INDOOR LED VIDEO WALL

Copyright © 2024 Starview Technologies Private Limited. All rights reserved.

Singapore Headquarters: 60 Kaki Bukit Place, #05-19 Eunos Techpark, Singapore 415979

Website: www.starviewtech.net | Email: sales@starviewtech.net | Tell: +65 31575338



DESCRIPTION

The Starview C-series panels feature a lightweight die-cast aluminum frame and high brightness LEDs, delivering great visual performance in any light condition. The Starview C-series is light weight and easy to handle enabling it to be an attractive solution for hanging video walls or traditional video walls favoring a compact fine pitch solution. Add aesthetic value to indoor environments with LED visual solutions and make your mark. The Starview C-series is manufactured using the highest quality LED components, offering stunning brightness, contrast and color reproduction.

FEATURES

- Available in P1.2, P1.5, P1.8, P2, P2.5, P3, P4, P5 pixel pitches
- Chip of LED uses XGT SMD LED 3-in-1 with high-performance
- Compatible for hanging or free-standing
- Installation environment: Indoor
- Rear Maintenance Access
- High-definition, bright and seamless visuals with wide viewing angles

Website: www.starviewtech.net | Email: sales@starviewtech.net | Tell: +65 31575338

PRODUCT ADVANTAGES



Minimal Power Consumption

Power consumption has been a major concern for many LED applications, especially those requiring 24/7 operation. Starview LED displays are designed with optimized power supplies to limit power consumption to a minimum. This not only helps you save money but also confirms Starview's long-term commitment to environmental protection and core focus on green energy efficient solutions.



Ease Of Services

Starview strives to provide each customer with the best service possible in any application. This starts with designing displays with ease of service in mind. With front and rear access, our High Resolution Indoor Video Displays provide dynamic video quality with worry-free installation and service.



Uniform Colors and Brightness all the time

Starview LED technology guarantees uniform colors and brightness across the display. With this advanced technology, you can mix different batches of tiles and expect the best picture with accuracy and consistency over the lifetime of the display.



High Definition Displays

The Starview C-series offers the finest pixel pitch LED display solutions, suitable for the most demanding applications where a fine pixel pitch is a need in a fixed installation environment such as conference room, control room, studio, lobby, airports, shops, etc.

Website: www.starviewtech.net | Email: sales@starviewtech.net | Tell: +65 31575338

INDOOR LED DISPLAY TECHNOLOGY

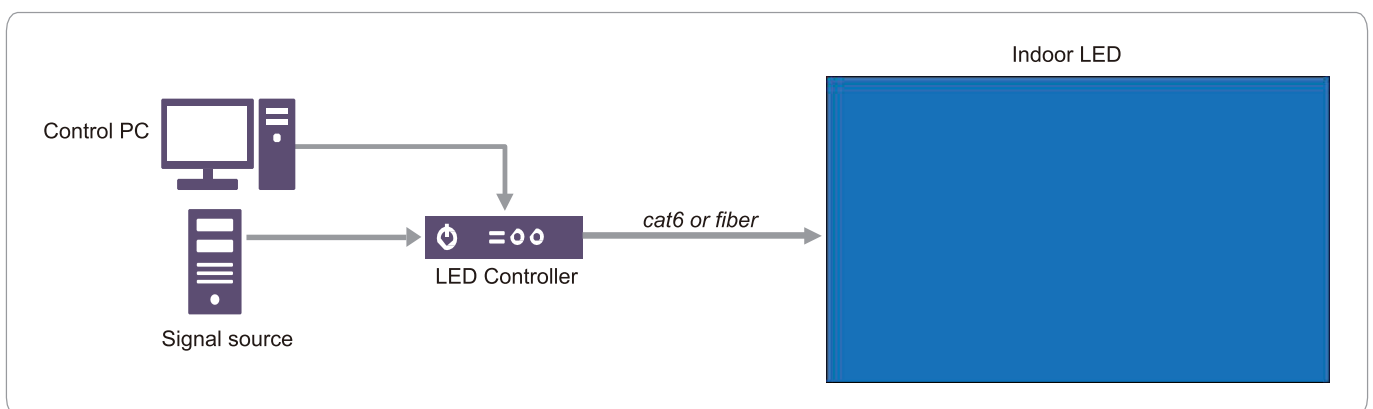


Starview brings LED video to the next level with its standard package LED display solution. Designed for premier applications that require the highest image quality at the closest viewing distances, this product takes advantage of 3-in-1 SMD (surface-mount device) LED technology to produce exceptional brightness, unsurpassed viewing angles and incredible picture detail. Starview can provide flexible solutions to fit customers' unique display needs, right down to the LED.

EFFICIENT DESIGN

High efficiency design allows the product to overcome harsh interior lighting conditions without pushing electrical components beyond their capabilities. This saves energy, increases reliability and extends lifetime.

LED SYSTEM DIAGRAM



Website: www.starviewtech.net | Email: sales@starviewtech.net | Tell: +65 31575338

SPECIFICATION

STARVIEW C-SERIES INDOOR ALUMINUM LED VIDEO WALL SPECIFICATIONS								
Model	SV-CS-LED P1.2I-ALU	SV-CS-LED P1.5I-ALU	SV-CS-LED P1.8I-ALU	SV-CS-LED P2I-ALU	SV-CS-LED P2.5I-ALU	SV-CS-LED P3I-ALU	SV-CS-LED P4I-ALU	SV-CS-LED P5I-ALU
Pixel Pitch	1.25 mm	1.53 mm	1.875 mm	2 mm	2.5 mm	3 mm	4 mm	5 mm
Pixel Configuration	SMD1010, RGB 3-in-1	SMD1212, RGB 3-in-1	SMD1515, RGB 3-in-1	SMD1515, RGB 3-in-1	SMD2121, RGB 3-in-1	SMD2121, RGB 3-in-1	SMD2121, RGB 3-in-1	SMD2121, RGB 3-in-1
Pixel Density	640,000 pixels/m ²	422,500 pixels/m ²	284,444 pixels/m ²	250,000 pixels/m ²	160,000 pixels/m ²	111,111 pixels/m ²	62,500 pixels/m ²	40,000 pixels/m ²
Module Resolution (W x H)	256 x 128 pixels	208 x 104 pixels	172 x 86 pixels	160 x 80 pixels	128 x 64 pixels	104 x 52 pixels	80 x 40 pixels	64 x 32 pixels
Module Size (W x H)	320 x 160 mm							
Cabinet Resolution (W x H)	512 x 384 pixels	416 x 312 pixels	344 x 258 pixels	320 x 240 pixels	256 x 192 pixels	208 x 156 pixels	160 x 120 pixels	128 x 96 pixels
Cabinet Size (W x H)	640 x 480 mm							
Modules/Cabinet (W x H)	2 x 3							
Cabinet Weight	7 kg							
Cabinet Design	Aluminum							
Maximum Power	750 W/m ²	700 W/m ²	600 W/m ²	600 W/m ²	600 W/m ²	600 W/m ²	600 W/m ²	600 W/m ²
Average Power	150 - 250 W/m ²	150 - 250 W/m ²	150 - 250 W/m ²	150 - 250 W/m ²	150 - 250 W/m ²	150 - 250 W/m ²	150 - 250 W/m ²	150 - 250 W/m ²
Brightness	600 - 800 cd/m ²	600 - 800 cd/m ²	600 - 800 cd/m ²	800 cd/m ²	800 - 900 cd/m ²	900 - 1000 cd/m ²	900 - 1000 cd/m ²	900 - 1000 cd/m ²
Color Temperature (Adjustable)	1000 - 18,500K (Optional)							
Viewing Angle (H/V)	160° / 160°							
Display Colors	10 bit, 1.07 billion							
Contrast Ratio	5000 : 1							
Frame Rate	50/60 Hz							
Driver IC	2163 IC	2163 IC	2163 IC	2163 IC	2037 IC	2037 IC	2037 IC	2037 IC
Refresh Rate (Adjustable)	1920 Hz	1920 Hz	1920 Hz	1920 Hz	1920 Hz	1920 Hz	1920 Hz	1920 Hz
Scan Mode	1/48	1/48	1/43	1/40	1/32	1/32	1/32	1/32
Gray Scale	65,536 Shades Per Color							
Service Access	Rear							
LED Lifetime	> 100,000 hours							
Power Supply	AC 110 - 220V @ 50/60Hz							
Working Temperature	-20° ~ 60°C							
Working Humidity	10% ~ 85%RH							
Storage Temperature	-20° ~ 60°C							
Storage Humidity	10% ~ 85%RH							
Best View Distancing	1.2 - 50m	1.5 - 50m	2 - 50m	2 - 50m	3 - 100m	3 - 100m	4 - 150m	4 - 150m
Certificate	CCC/ CE/ RoHS/ FCC							

Website: www.starviewtech.net | Email: sales@starviewtech.net | Tell: +65 31575338

STARVIEW C-SERIES INDOOR STEEL LED VIDEO WALL SPECIFICATIONS				
Model	SV-CS-LED P2.5I-STE	SV-CS-LED P3I-STE	SV-CS-LED P4I-STE	SV-CS-LED P5I-STE
Pixel Pitch	2.5 mm	3 mm	4 mm	5 mm
Pixel Configuration	SMD2121, RGB 3-in-1	SMD2121, RGB 3-in-1	SMD2121, RGB 3-in-1	SMD2121, RGB 3-in-1
Pixel Density	160,000 pixels/m ²	111,111 pixels/m ²	62,500 pixels/m ²	40,000 pixels/m ²
Module Resolution (W x H)	128 x 64 pixels	64 x 64 pixels	64 x 64 pixels	64 x 32 pixels
Module Size (W x H)	320 x 160 mm	192 x 192 mm	256 x 256 mm	320 x 160 mm
Cabinet Resolution (W x H)	256 x 256 pixels	192 x 192; 256 x 256 pixels	192 x 192; 256 x 256 pixels	192 x 192 pixels
Cabinet Size (W x H)	640 x 640 mm	576 x 576; 768 x 768 mm	768 x 768; 1024 x 1024 mm	960 x 960 mm
Modules/Cabinet (W x H)	2 x 3			
Cabinet Weight	7 kg			
Cabinet Design	Steel			
Maximum Power	700 W/m ²	700 W/m ²	700 W/m ²	700 W/m ²
Average Power	150 - 250 W/m ²	150 - 250 W/m ²	150 - 250 W/m ²	150 - 250 W/m ²
Brightness	900 cd/m ²	900 cd/m ²	900 cd/m ²	900 cd/m ²
Color Temperature (Adjustable)	1000 - 18,500K (Optional)			
Viewing Angle (H/V)	160° / 160°			
Display Colors	10 bit, 1.07 billion			
Contrast Ratio	5000 : 1			
Frame Rate	50/60 Hz			
Driver IC	2037 IC	2037 IC	2037 IC	2037 IC
Refresh Rate (Adjustable)	1920 Hz	1920 Hz	1920 Hz	1920 Hz
Scan Mode	1/48	1/48	1/48	1/48
Gray Scale	65,536 Shades Per Color			
Service Access	Rear			
LED Lifetime	> 100,000 hours			
Power Supply	AC 110 - 220V @ 50/60Hz			
Working Temperature	-20° ~ 60°C			
Working Humidity	10% ~ 85%RH			
Storage Temperature	-20° ~ 60°C			
Storage Humidity	10% ~ 85%RH			
Best View Distancing	3 - 100m	3 - 100m	4 - 150m	4 - 150m
Certificate	CCC/ CE/ RoHS/ FCC			

Website: www.starviewtech.net | Email: sales@starviewtech.net | Tell: +65 31575338

Corporate offices

STARVIEW TECHNOLOGIES PTE LTD
Singapore Headquarters
60 Kaki Bukit Place
#05-19 Eunos Techpark
Singapore 415979

Tel: +65 3157 5338
Fax: +65 3112 8181

Worldwide offices

STARVIEW TECHNOLOGIES VIETNAM
Hanoi Office
R9, 33th Floor, C2 Building, D'Capitale,
119 Tran Duy Hung Street,
Trung Hoa – Cau Giay, Hanoi
Ho Chi Minh Office
#C9-16, Block A, Sky Center Building,
#10 Pho Quang Street,
Tan Binh District, Ho Chi Minh City

Tel: (024) 66661268
Hotline: 19008695
Sale Contact: 0866.207.855

Representatives

Brazil
Tel: +55 11 9-8244-7630

Germany
Tel: +49 172 946 69 39

France - Benelux - Africa
Tel: +33 782 702 214

Southern, Eastern Europe
& Middle East Operations
Tel: +420 602 66 75 66

