



DESCRIPTION

The Starview PAM-240-C amplifier is a 2U (less than 240W) mixer amplifier featuring 70V, 100V and 4-16ohm speaker outputs & 4 universal balanced XLR mic inputs with phantom power. The amplifier rated power ranges is from 60W, 120W, 240W to 350W, 500W (3U). There are 4 audio source selectors on the front panel. 4 Aux inputs by dual RCA type are located on the rear panel. Mic 1-4 with Vox priority selectors. The amplifier is also built-in pre-announcement chime with volume control and remote chime trigger. The REC output for tape recorder and PRE output, AMP input for adding extra signal processor like mixer, graphic equalizer. Volume control over Mic 1-4, aux, master & overall treble/ bass controls are provided. Complete protection includes short circuit and thermal protection, current limiter and overloading.

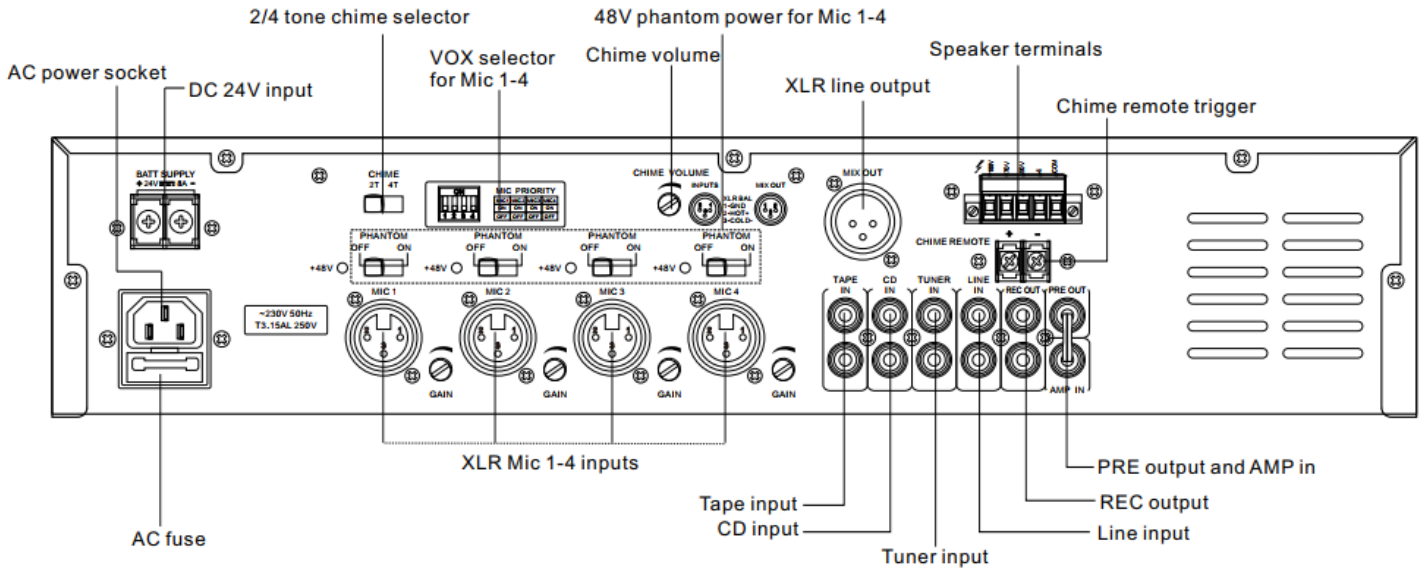
FEATURES

- 2U tabletop and rack mounted design.
- Rated power output from 60W, 120W, 240W, 350W and 500W.
- 4 balanced XLR microphone inputs with phantom power and gain control.
- 4 dual RCA line inputs.
- 70V, 100V and 4-16Ω speaker terminals.
- Mic 1-4 with selectable priority over other inputs.
- Built-in chime, 2/4 tone selector and remote trigger.
- XLR balanced line output for extra power amplifier.
- REC output for tape recorder.

Website: www.starviewtech.asia or www.starviewtech.net | Email: sales@starviewint.com | Tell: +65 31575338

- PRE Output and AMP input for extra signal processor.
- Master, Mic1-4, Aux volume control, treble and bass control.
- Indications includes power and output level meter.
- AC 110V or 230V and DC 24V operation.

Rear Panel



SPECIFICATION

STARVIEW PAM-240-C MIXER AMPLIFIER SPECIFICATIONS

| | |
|---|--|
| Model | PAM-240-C |
| Rated Power Output | 240W |
| Speaker Outputs | 50V, 70V, 100V & 4 ~ 16Ω |
| Input Sensitivity & Impedance | MIC 1, 2, 3, 4: ±2.5mV/2KΩ, Balanced XLR input AMP: 1000mV/10KΩ, Unbalanced RCA input TAPE, CD, TUNER, LINE INPUT(AUX): 350mV/10KΩ, Unbalanced RCA input |
| Output Sensitivity & Impedance | REC OUT: 200mV/470Ω, Unbalanced RCA output PRE OUT: 1000mV/470Ω, Unbalanced RCA output |
| Overload | MIC 1, 2, 3, 4: >15dB |
| Electromotive Force | AUX: >18dB |
| Tone | Bass: ±10dB at 100Hz, Treble: ±10dB at 10KHz |
| Frequency Response | 50Hz ~ 16KHz (+1dB, -3dB) |
| S/N Ratio | MIC 1, 2, 3, 4: 66dB; AUX: 76dB |
| THD | Less than 0.1% at 1KHz, 1/3 rated power |

Website: www.starviewtech.asia or www.starviewtech.net | Email: sales@starviewint.com | Tell: +65 31575338

| | |
|--------------------------|--|
| Muting Function | MIC 1~4 overrides other input signals with 30dB attenuation. Set the priority for MIC1~4 by the "MIC PRIORITY" switch on the rear panel (Priority function available when it is"ON", the priority will be on lower level same as AUX input when it is "OFF"). |
| Gain Control | ±2.5mV ~ ±75mV at 30dB |
| Crosstalk | ≤50dB |
| Phantom Power | +48V with LED indicator |
| Chime | 2 tone and 4 tone options |
| Cooling | Fan automatically start up when temp reaches 55°C (Equipment below 120W will convect and cool button up) |
| Protection | High temp, overload & short-circuit |
| Power Supply | ~110V - 230V 50/60Hz |
| Power Consumption | 400W |
| Dimensions | 483 x 358 x 88mm |
| Weight | 13.52Kg |
| Finish | Panel: aluminum plate, black; Case: SPCC Panel |

Corporate offices

STARVIEW TECHNOLOGIES PTE LTD
Singapore Headquarters
 60 Kaki Bukit Place
 #05-19 Eunos Techpark
 Singapore 415979

Tel: +65 3157 5338
 Fax: +65 3112 8181

Worldwide offices

STARVIEW TECHNOLOGIES VIETNAM
Hanoi Office
 R9, 33th Floor, C2 Building, D'Capitale,
 119 Tran Duy Hung Street,
 Trung Hoa – Cau Giay, Hanoi
Ho Chi Minh Office
 #C9-16, Block A, Sky Center Building,
 #10 Pho Quang Street,
 Tan Binh District, Ho Chi Minh City

Tel: (024) 66661268
 Hotline: 19008695
 Sale Contact: 0866.207.855

Representatives

Brazil
 Tel: +55 11 9-8244-7630

Germany
 Tel: +49 172 946 69 39

France - Benelux - Africa
 Tel: +33 782 702 214

**Southern, Eastern Europe
 & Middle East Operations**
 Tel: +420 602 66 75 66

